

Part Number: PT747-08100-DS

Section I - Installation Preparation

Kit Contents

Item #	Quantity Req'd.	Description
1	1	Sienna Door Sill Applique RH
2	1	Sienna Door Sill Applique LH

Hardware Bag Contents

Item #	Quantity Req'd.	Description
1		

Additional Items Required For Installation

Item #	Quantity Req'd.	Description
1		

Conflicts

Note:

Recommended Tools

Safety Tools	
None	
Special Tools	
Squeegee	# Felt Block (3M™) P/N 71606
Installation Tools	
Lint Free Rags	
Special Chemicals	
Cleaner	VDC approved cleaner and cleaning method

Available through local automotive paint supply stores.

General Applicability







Note:

Recommended Sequence of Application

Item #	Accessory	
1		
2		
3		

*Mandatory

Legend

	STOP: Damage to the vehicle may occur. Do not proceed until process has been complied with.
	OPERATOR SAFETY: Use caution to avoid risk of injury.
	CAUTION: A process that must be carefully observed in order to reduce the risk of damage to the accessory/vehicle and to ensure a quality installation.
	TOOLS & EQUIPMENT: Used in Figures calls out the specific tools and equipment recommended for this process.
	REVISION MARK: This mark highlights a change in installation with respect to previous issue.
	SAFETY TORQUE: This mark indicates that torque is related to safety.

Section II - Installation Procedure

A. Installation Temperature.



1. Part and vehicle surface temperature must be between 65°F and 90°F for optimum installation. Store parts flat at room temperature in a clean dry place.

B. Clean the Vehicle Surface.



1. Clean the entire application surface to remove grease and wax. Using approved VDC Cleaner and clean lint free cloth.

C. Installation of the Front Left Door Sill Applique.

1. Carefully remove the entire paper liner starting at the removal tab from Left Hand part (which has "L" stamped on tab.) Avoid excessive finger contact with the adhesive surface.
2. Hold appliqué taut from each end and carefully work under left hand door seal.



- i. Align the outside border (grain separation line) of the applique visually directly below outer edge of door seal. (Fig.C-1)

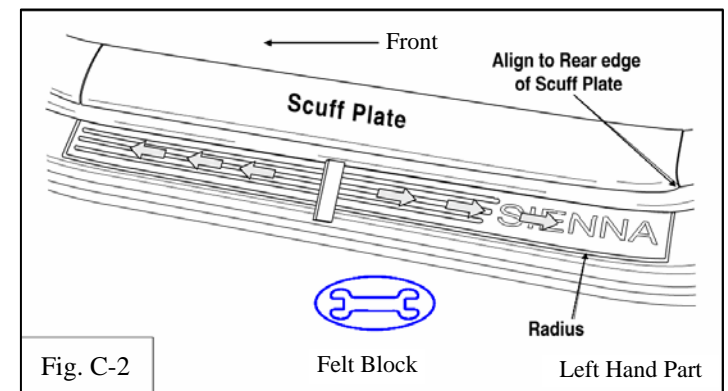
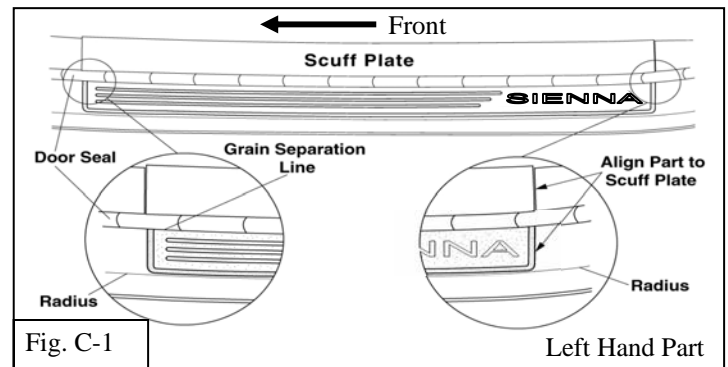


- ii. Align rear edge of applique with rear of scuff plate. (Fig.C-2)

3. Do not press applique down with fingers.

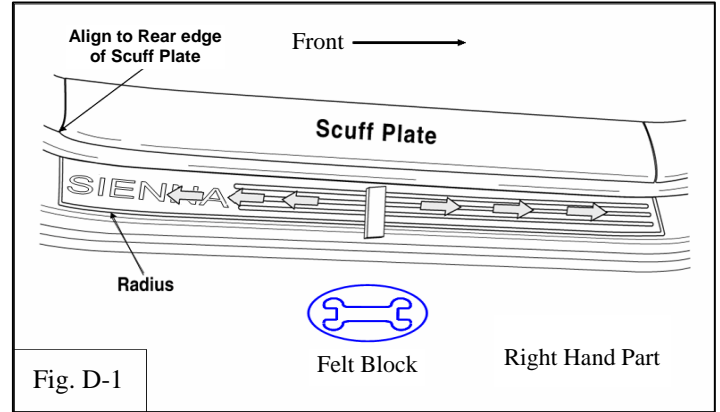


4. Using a felt block, squeegee the applique to the vehicle on the horizontal surface starting in the center and working out to each end with smooth overlapping strokes. (Fig. C-2)



D. Installation of the Front Right Door Sill Appliqué.

1. Repeat Steps C. 1. through C. 4. for Right Hand part (which has "R" stamped on tab.) (Fig. D-1)



Section III - Functional Verifications

Check: _____

- Proper adhesion - Visual
- Proper adhesion – Physical

Look For: _____

Look for bubbles & loose edges

Check for gaps in corners with fingernails. If present, resqueegee. With light pressure rub hand over top of applique and if crackling sound occurs, resqueegee. (Heating surface to minimum temperature may be required.)